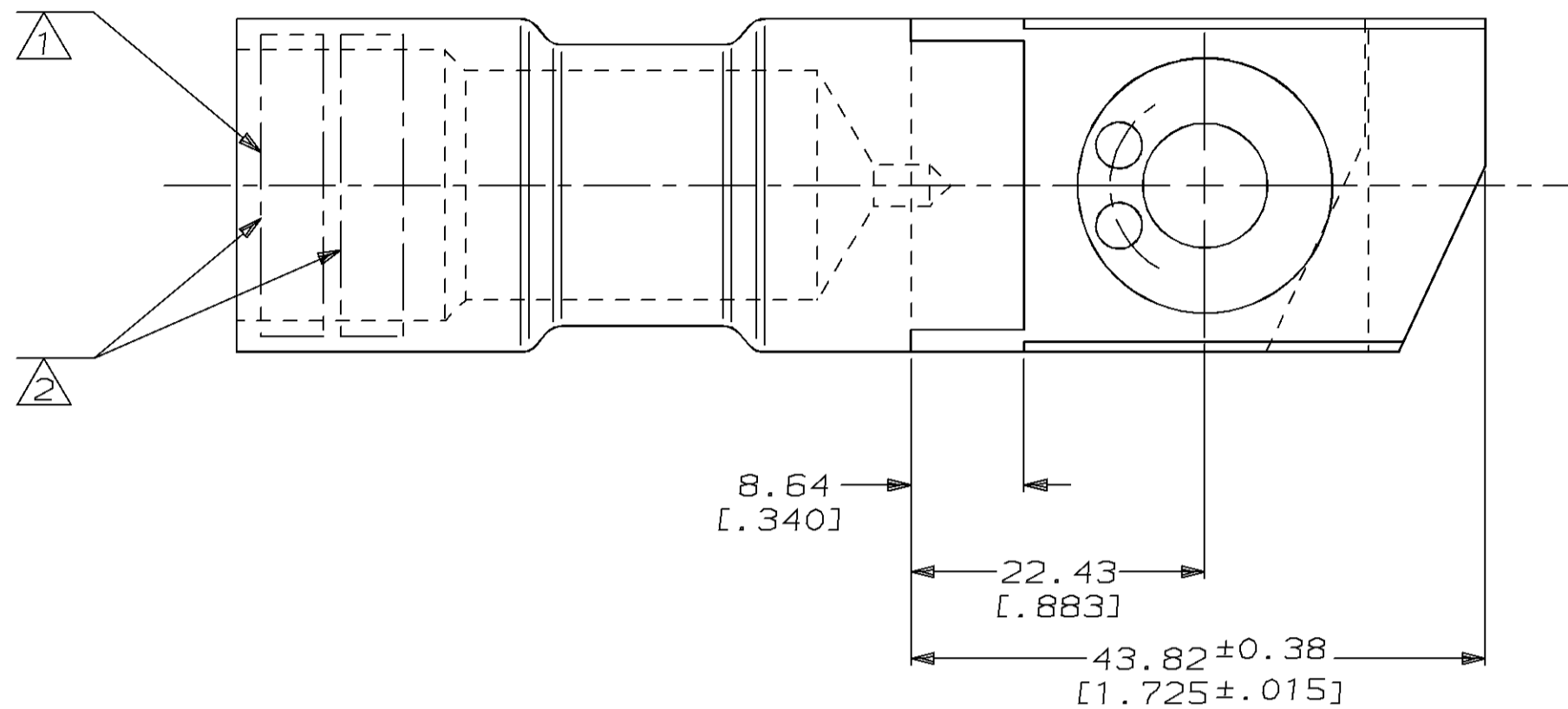
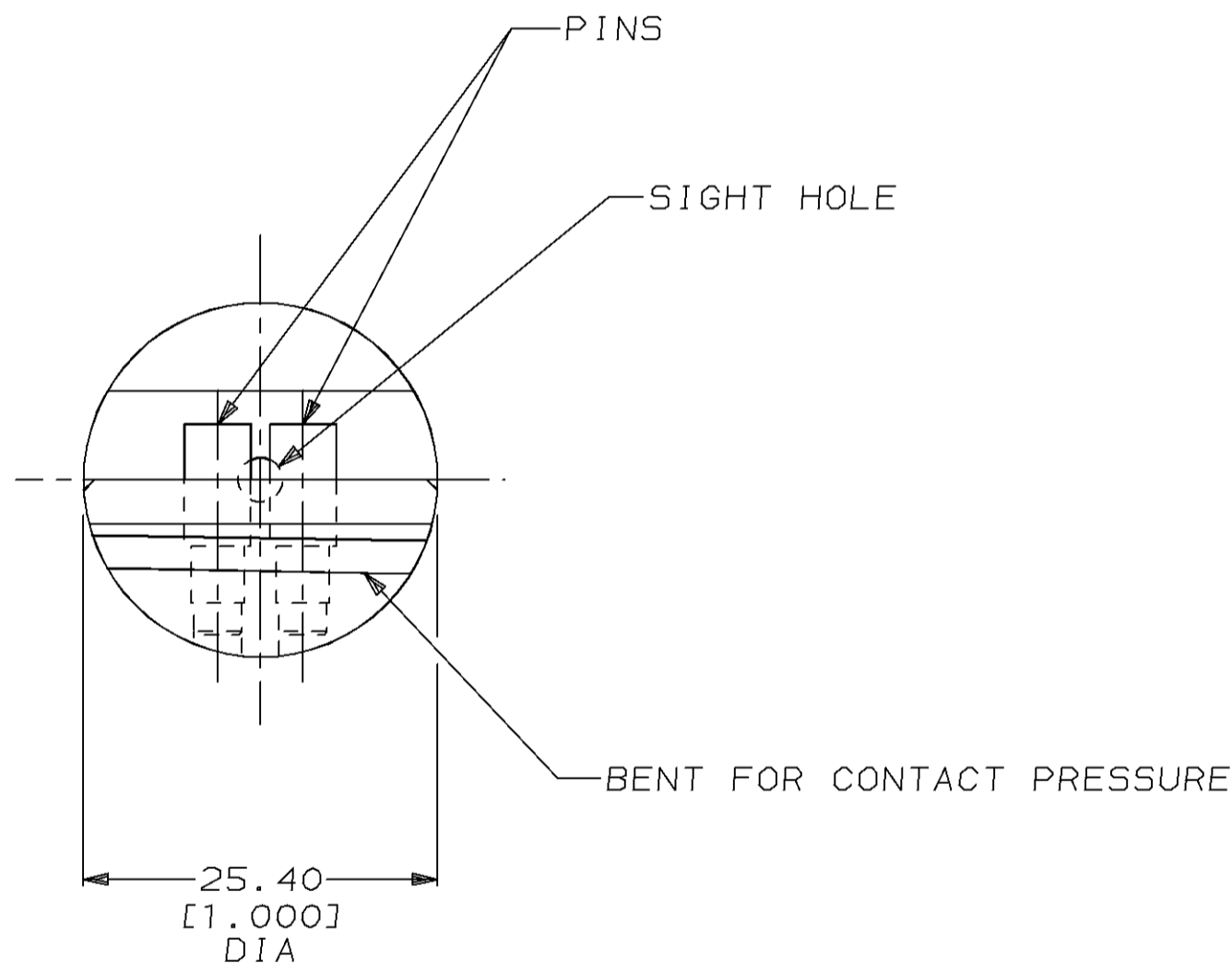
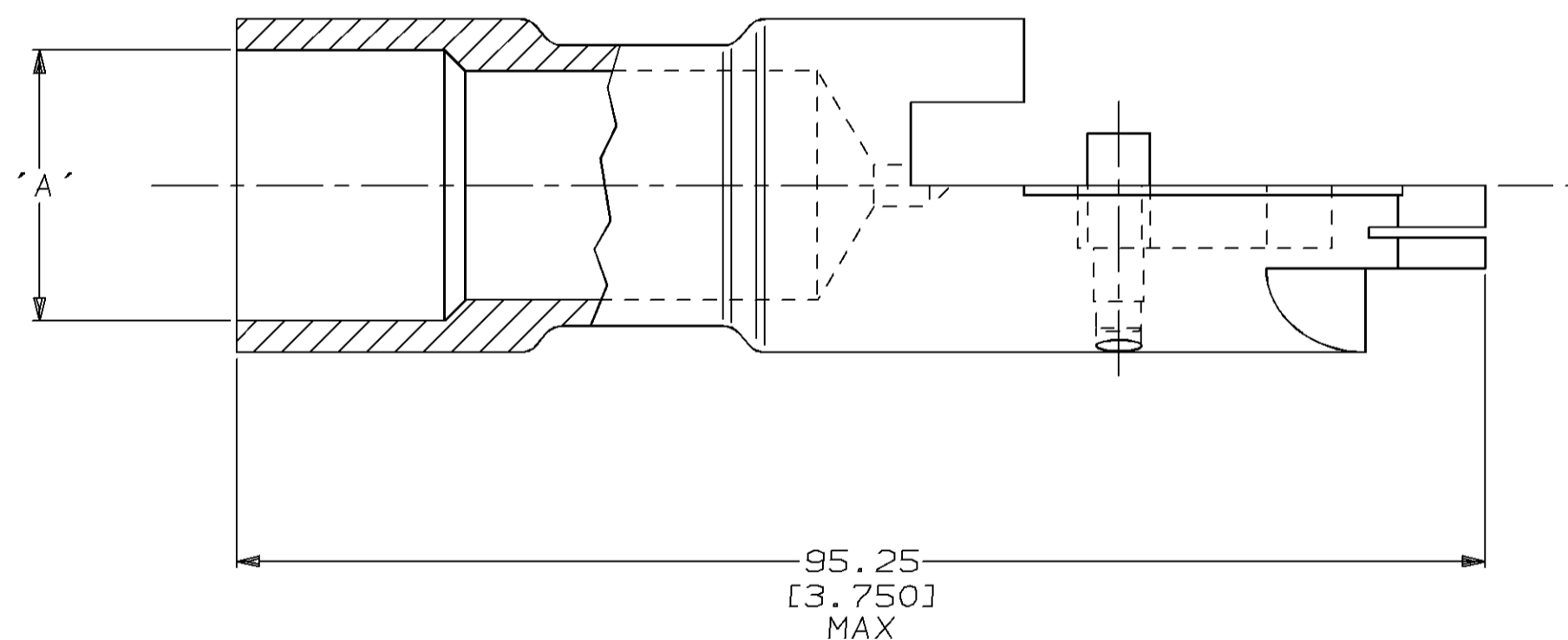


THIS DRAWING IS UNPUBLISHED. RELEASED FOR PUBLICATION
 BY AMP INCORPORATED. ALL RIGHTS RESERVED.

| LOC | DIST | REVISIONS | | | | | |
|-----|------|-----------|-----|------------------------------------|---------|-----|------|
| | | P | LTR | DESCRIPTION | DATE | DWN | APVD |
| G | 86 | | | | | | |
| | | D | | REVISED & REDRAWN PER 0720-0856-96 | 08APR96 | DKS | WJV |



- 1 STAMP AMP 4/0 APPROX AS SHOWN FOR P/N 53631-1
- 2 STAMP 4/0 A33 @7077D80G16 APPROX AS SHOWN FOR P/N 53631-2



| | | |
|----------|-----------------|-----------------|
| OBSELETE | 19.94 [.785] | 53631-2 |
| | 20.62 [.812] | 53631-1 |
| | 'A' | AMP PART NUMBER |

| | | | |
|--|---|---|---|
| <small>THIS DRAWING IS A CONTROLLED DOCUMENT FOR AMP INCORPORATED. IT IS SUBJECT TO CHANGE AND THE CONTROLLING ENGINEERING ORGANIZATION SHOULD BE CONTACTED FOR THE LATEST REVISION.</small> | | DWN DK SCHRUM 08APR96 CHK WJ VOCKROTH 09APR96 APVD JL MECKLEY 09APR96 | AMP AMP Incorporated Harrisburg, PA 17105-3608 |
| DIMENSIONS: mm [INCHES] | TOLERANCES UNLESS OTHERWISE SPECIFIED: 0 PLC ±- 1 PLC ±- 2 PLC ±0.20 [.008] 3 PLC ±- 4 PLC ±- ANGLES ±- | PRODUCT SPEC 108-13014 APPLICATION SPEC | NAME TERMINAL ASSEMBLY, QUICK-DISCONNECT, AMPPOWER, WIRE SIZE: 4/0 AWG |
| MATERIAL BODY & PINS BRASS PER QQ-B-626 | FINISH SILVER PL 0.00254 [.000100] MIN THK PER QQ-S-365 | WEIGHT .38 Lbs | SIZE A2 CAGE CODE 00779 DRAWING NO C=53631 |
| CUSTOMER DRAWING | | | SCALE 2:1 SHEET 1 OF 1 REV D |